

# CS Connector Specification

Rev 0.1      March 10, 2017

## Abstract:

This specification defines the fiber optic connector interface, a single position plug connector set of plug/adaptor configuration that is characterized by two 1.25 mm nominal diameter ferrules.

## Points of Contact:

Tiger Ninomiya  
SENKO Advanced Components  
450 Donald Lynch Blvd.  
Marlborough, MA 01752

David Hubbard  
Corning  
275 Gibraltar Drive  
Sunnyvale, CA 94089

Limitations of the Use of this Information: This specification is being provided under and subject to the provisions of the QSFP-DD Multi Source Agreement between Senko Advanced Components, Inc., Corning and the other MSA Participants listed therein (the "MSA"), including without limitation the Confidentiality provisions of the MSA.

THIS SPECIFICATION IS PROVIDED "AS IS" WITH NO WARRANTIES WHATSOEVER, EXPRESS OR IMPLIED, AND THEREFORE THE PROVISION OF THIS SPECIFICATION DOES NOT INCLUDE ANY IMPLIED OR EXPRESS WARRANTY OF MERCHANTABILITY, NONINFRINGEMENT, FITNESS FOR A PARTICULAR PURPOSE, OR ANY OTHER WARRANTY OTHERWISE IMPLIED OR ARISING OUT OF ANY PROPOSAL, SPECIFICATION OR SAMPLE, ALL OF WHICH ARE HEREBY EXPRESSLY EXCLUDED. THE AUTHORS FURTHER DISCLAIM ALL LIABILITY, INCLUDING LIABILITY FOR INFRINGEMENT OF ANY PROPRIETARY RIGHTS, RELATING TO USE OF INFORMATION IN THIS SPECIFICATION.

## Change History:

Revision	Date	Changes
0.1	3/10/2017	First Release

**Foreword**

The development work on this specification was done by SENKO and Corning.

**TABLE OF CONTENTS**

1. SCOPE..... 3

2. Introduction ..... 3

    2.1 Overview ..... 3

Preliminary

## 1. SCOPE

This specification defines the interface dimensions for CS Connector.

## 2. INTRODUCTION

### 2.1 Overview

CS Connector appearance is TBD.

Preliminary

Overview

CS Quadruplex ferrule plug receptacle/ adapter interface appearance is shown in Figure 4

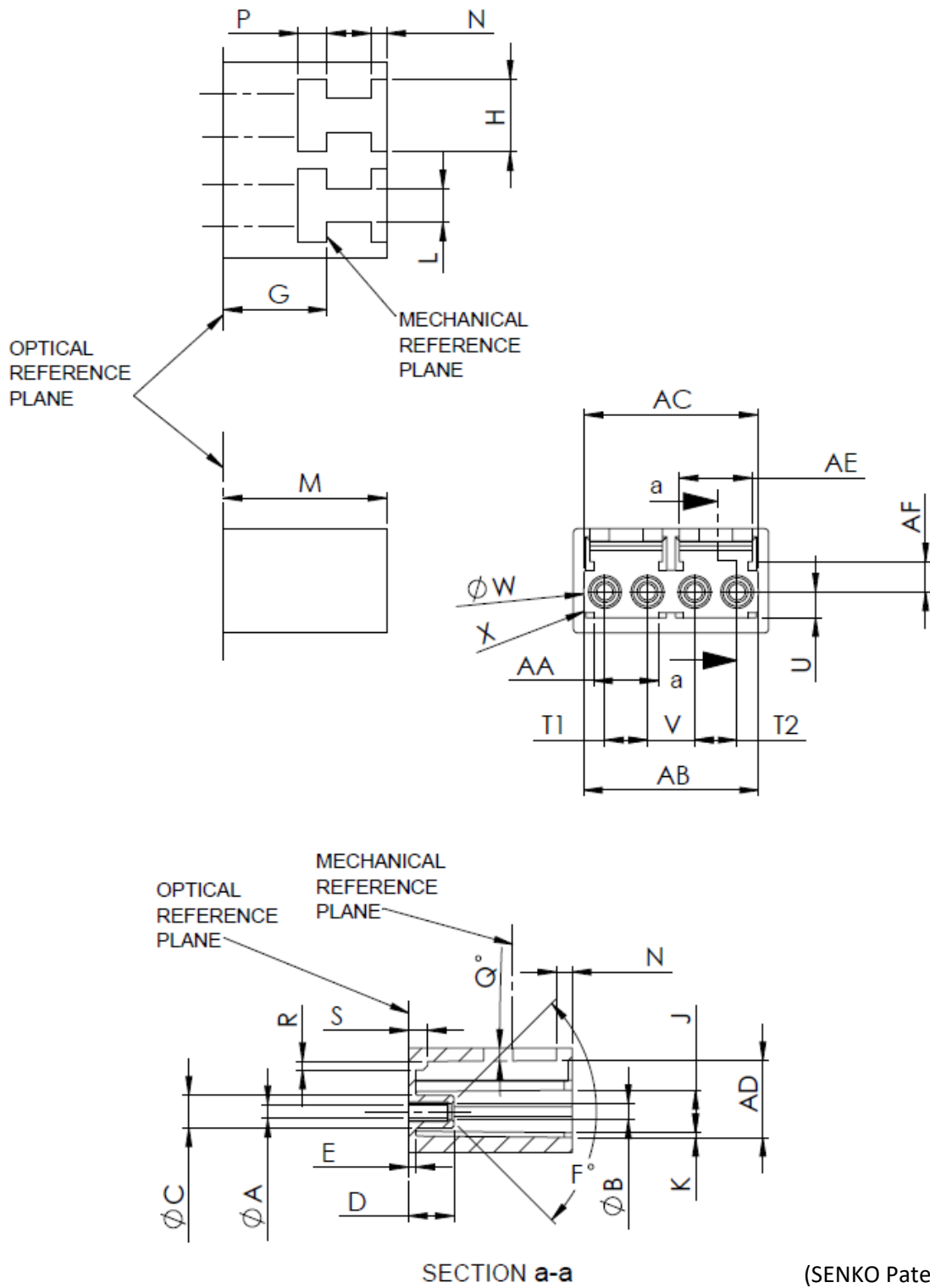


Figure 1 – CS Quadruplex Ferrule Plug Adapter Interface

Table 1 – Dimensions of CS Adapter

Reference	Dimensions (mm)		Remarks
	Minimum	Maximum	
A	-	1.25	Internal Diameter (no ferrule inserted)
B	1.4	1.5	Diameter
C	2.87	2.97	Diameter
D	4.0	4.1	
E	0.55	0.75	
F	-	90	Degrees
G	9.24	9.34	
H	6.5	6.6	
I	-	-	NOT USED
J	3.7	3.8	
K	0.4	0.5	
L	3.0	3.2	
M	14.55	14.65	
N	1.4	1.6	
O	-	-	NOT USED
P	2.55	2.65	
Q	0.3		Degrees
R	0.7	0.8	Optional
S	1.6	1.7	Optional
T <sub>1</sub>	3.8		Basic dimension
T <sub>2</sub>	3.8		Basic dimension
U	2.29		Basic dimension
V	4.2		Basic dimension
W	3.75	3.85	Diameter
X	1.8	1.9	
AA	5.75	5.85	
AB	15.6		
AC	15.4	15.6	
AD	6.85	6.95	
AE	6.5	6.7	
AF	2.5	2.7	
Note:			